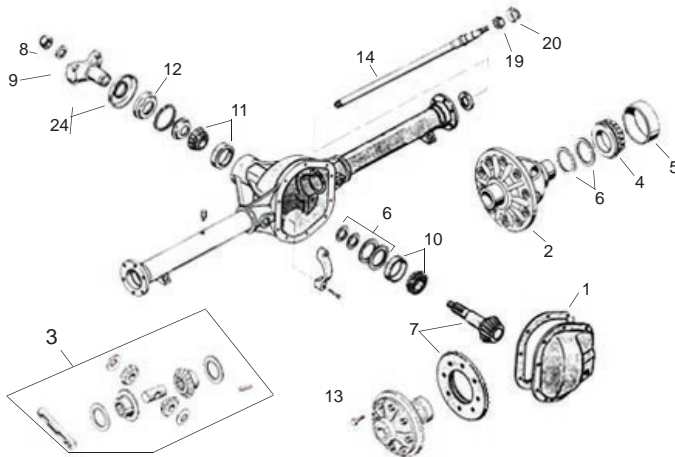


FITS 1948-69 CJ2A, CJ3A, CJ3B & CJ5 WITH TAPERED AXLE SHAFTS



REAR DANA-44 W/ TAPERED AXLE SHAFTS

DESCRIPTION	Stock No.
1 GASKET, AXLE COVER	16502.02
2 CASE, STANDARD DIFFERENTIAL 3.92 TO 5.38 RATIO	16503.20
3 SPIDER GEAR KIT, STANDARD DIFFERENTIAL 10 SPLINE	16507.15
19 SPLINE	16507.16
4 BEARING, DIFFERENTIAL SIDE (2 needed)	16509.20
5 CUP, DIFFERENTIAL SIDE (2 needed)	16509.21
6 SHIM KIT, DIFFERENTIAL SIDE & PINION BEARING	16512.20
7 RING & PINION: 5.38 RATIO, 43X8 TEETH 10 SPLINE	16513.60
4.27 RATIO, 47X11 TEETH 10 SPLINE	16513.61
3.73 RATIO, 41X11 TEETH 26 SPLINE	16513.62
8 PINION NUT	16584.01
9 PINION WASHER	16584.02
10 INNER PINION BEARING & CUP KIT	16515.01
11 OUTER PINION BEARING & CUP KIT	16517.01
12 PINION OIL SEAL	16521.01
13 BOLT FOR RING GEAR	16522.01

DESCRIPTION	Stock No.
14 AXLE SHAFT PASSENGER SIDE, 10 SPLINE	16530.04
AXLE SHAFT PASSENGER SIDE, 19 SPLINE	16530.06
AXLE SHAFT DRIVER SIDE, 10 SPLINE	16530.03
AXLE SHAFT DRIVER SIDE, 19 SPLINE	16530.05
15 AXLE SHAFT NUT	16533.01
16 AXLE HUB KEY	16533.02
16 AXLE HUB KEY (OVERSIZED KEY, FOR USE WITH WORN OUT HUB KEY AREA) (NEW)	16533.12
17 OIL SEAL, REAR OUTER AXLE	16534.01
18 OIL SEAL, REAR INNER AXLE	16535.01
19 BEARING, AXLE SHAFT	16536.01
20 CUP, AXLE SHAFT	16536.02
21 SHIM KIT REAR AXLE RETAINER	16533.03
22 REAR AXLE HUB	16537.01
23 WHEEL STUD, RIGHT THREAD, (each)	16714.03
24 YOKE 10 SPLINE	16580.04
YOKE 26 SPLINE	16580.02
25 U-BOLT KIT FOR YOKE (pair)	16582.01
U-BOLT KIT FOR YOKE (pair), SPICER BRAND	16582.02
26 DIFFERENTIAL COVER KIT STAINLESS STEEL, INCLUDES GASKET & HARDWARE	11118.03