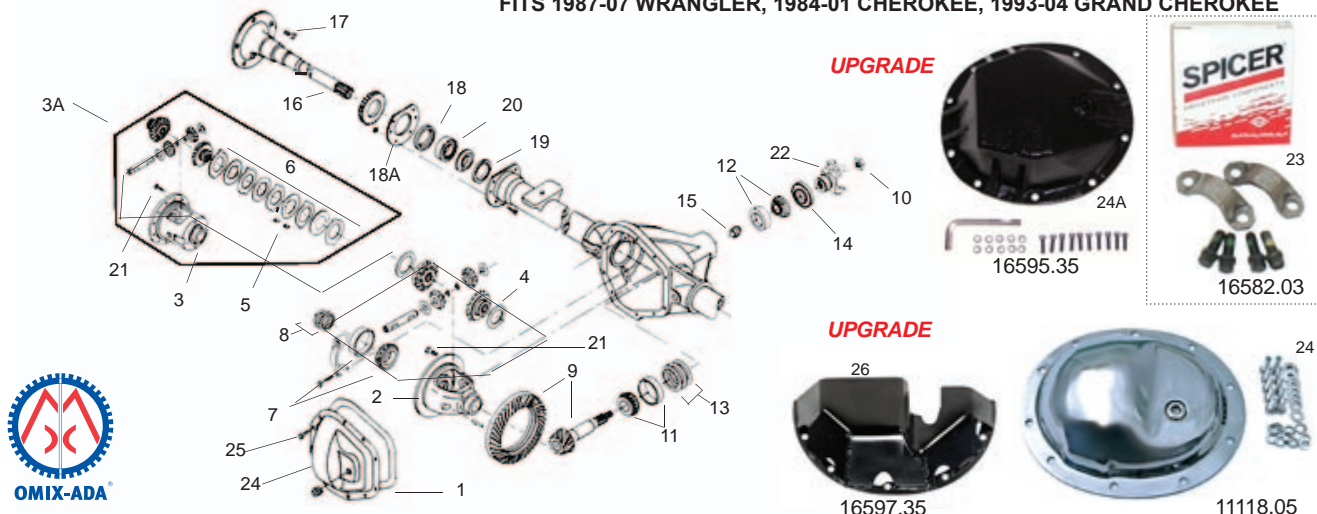


FITS 1987-07 WRANGLER, 1984-01 CHEROKEE, 1993-04 GRAND CHEROKEE



AXLE & DIFFERENTIAL

REAR DANA-35

DESCRIPTION	Stock No.
1 GASKET, SILICON TUBE	19201.01
GASKET, EXACT CUT	16502.04
1A REBUILD KIT (bearings, seal, shims & hardware)	16501.06
2 DIFFERENTIAL CASE, STANDARD	
1987-93, 2.73 TO 3.31 RATIO,	16503.40
(not for 1993 WRANGLER BOM 605528)	
1994-00, 2.73 TO 3.31 RATIO	16503.41
1993 WRANGLER w/ 605528 BOM, 2.73-3.31 RATIO	16503.41
1987-89, 3.55 TO 4.56 RATIO (SPICER #41993)	16503.42
1990-93, 3.55-4.56 (except 93 WRANGLER w/ BOM 605528)	16503.43
1994-00, 3.55 TO 4.56 RATIO	16503.44
1993 WRANGLER w/ 605528 BOM, 1999-04 3.55-4.56	16503.44
3.07 RATIO 2001-02 WRANGLER (NEW)	16503.66
2A CASE ASSY KIT, STANDARD DIFFERENTIAL	
2.73-3.07 RATIO 1986-93, SPICER	16505.22
3.07 RATIO 1994-06 WRANGLER	16505.23
3.07 RATIO 2001 CHEROKEE (NEW)	16505.11
3.07 RATIO 2001-02 WRANGLER (NEW)	16505.11
3.31-4.56 RATIO 1987-93 WRANGLER	16505.20
3.31-4.56 RATIO 1987-93 CHEROKEE	16505.20
3.55-4.56 RATIO 1992-94 CHEROKEE, SPICER	16505.21
3.55-4.56 RATIO 1994-06 WRANGLER	16505.24
3.55-4.56 RATIO 1994-01 CHEROKEE	16505.24
3.55-4.56 RATIO 1994-98 GRAND CHEROKEE	16505.24
3.55-3.73 RATIO 1999-04 GRAND CHEROKEE	16505.25
3.55 RATIO 2001 CHEROKEE W/ TRAC LOK	16505.19 (NEW)
3.73 RATIO 2001-02 WRANGLER W/ TRAC LOK	16505.17 (NEW)
4.11 RATIO 2001-02 WRANGLER W/O TRAC LOK	16505.19 (NEW)
4.56 RATIO 2002 WRANGLER (NEW)	16505.19
3 1987-00 CASE ONLY, TRAC-LOK, 3.55-4.56	
(will not fit 1992-93 WRANGLER)	16503.48
3A 1987-00 CASE ASSY WITH GEAR KIT, TRAC-LOK	
2.73-3.31 (will not fit 1992-93 WRANGLER)	16505.29
3.55-4.56 (will not fit 1992-93 WRANGLER)	16505.30
TRAC-LOK CASE ASSY KIT, 1999-04 GRAND CHEROKEE	16505.31
4 1987-93 SPIDER GEAR KIT STANDARD DIFFERENTIAL	
(not for 1993 WRANGLER 605528)	16507.30*
1994-00 SPIDER GEAR KIT STANDARD DIFF	16507.31*
1993 WRANGLER 605528 BOM SPIDER GEAR	
KIT STANDARD DIFF	16507.31*
5 1987-06 SPIDER GEAR KIT WITH DISC KIT	
TRAC-LOK DIFFERENTIAL	16507.32
6 1987-89 TRAC-LOK DISC KIT	16508.10
1990-02 TRAC-LOK DISC KIT	16508.11
7 BEARING & CUP KIT, DIFFERENTIAL CASE	
(2 bearings & 2 cups)	16509.05
8 SHIM KIT DIFFERENTIAL SIDE	16511.10
9 RING & PINION KIT: (w/ bearings, cups, shims, seals & hardware)	
3.07 RATIO 43X14 TEETH	16514.01
3.55 RATIO 39X11 TEETH 1987-93 WRANGLER	16514.02
3.55 RATIO 39X11 TEETH 1994-06 WRANGLER	16514.03
3.55 RATIO 39X11 TEETH 1994-01 CHEROKEE	16514.03
3.55:1 39X11 TEETH 1994-98 GRAND CHEROKEE	16514.03
3.73 RATIO 1994-06 WRANGLER	16514.04
3.73 RATIO 1994-01 CHEROKEE	16514.04
3.73 RATIO 1994-98 GRAND CHEROKEE	16514.04
4.11 RATIO, 37X9 TEETH 1997-01 WRANGLER	16514.05
4.56 RATIO, 44X9 TEETH 1990-02 WRANGLER	16514.06
9a RING & PINION GEARS ONLY	
3.07:1 2001 CHEROKEE, REAR (NEW)	16514.52
3.07:1 2001-02 WRANGLER, REAR (NEW)	16514.52
3.55:1 1999-04 GRAND CHEROKEE	16514.08
3.55:1 1999-00 GRAND CHEROKEE, REAR (NEW)	16514.46
3.55:1 2001 CHEROKEE, REAR (NEW)	16514.46
3.73:1 1999-03 GRAND CHEROKEE RR W/ TRAC LOK	16514.48 (NEW)
3.73:1 1999-03 CHEROKEE REAR W/ TRAC LOK	16514.48 (NEW)
3.73:1 1999-04 GRAND CHEROKEE	16514.09
3.73:1 2001 CHEROKEE DIESEL, REAR (NEW)	16514.49
3.73:1 2001-02 WRANGLER REAR (NEW)	16514.49
4.11:1 2001-02 WRANGLER REAR (NEW)	16514.54
4.88:1 1990-02 WRANGLER	16514.07

*All spider gears must be replaced at once due to differences in manufacturing processes.

DESCRIPTION	Stock No.
10 PINION NUT	16584.03
11 INNER PINION BEARING & CUP KIT	16515.15
12 OUTER PINION BEARING & CUP KIT	16517.02
13 PINION BEARING SHIM SET, EXC. 200708 WRANGLER	16519.10
13 PINION BEARING SHIM SET, .50-.54", 2007-08 WRANGLER	16519.05 (NEW)
14 PINION OIL SEAL, 1987-06 WRANGLER	16521.10
PINION OIL SEAL, 1999-01 CHEROKEE (NEW)	16521.16
PINION OIL SEAL, 1999-03 GRAND CHEROKEE (NEW)	16521.16
15 COLLAPSIBLE PINION SPACER	16512.59
16 AXLE SHAFTS:	
1984-89 CHEROKEE DRIVER SIDE	16530.51
1984-89 CHEROKEE PASSENGER SIDE	16530.50
1987-89 WRANGLER DRIVER SIDE	16530.51
1987-89 WRANGLER PASSENGER SIDE	16530.50
1990-00 (all) PASS. SIDE W/O ABS (c-clip style)	16530.52
1990-00 (all) DRIVER SIDE W/O ABS (c-clip style)	16530.53
1990-91 WRANGLER, PASS. SIDE W/ ABS	16530.54
1990-91 CHEROKEE, PASS. SIDE W/ ABS	16530.54
1990-91 WRANGLER, DRIVER SIDE W/ ABS	16530.55
1990-91 CHEROKEE, DRIVER SIDE W/ ABS	16530.55
1992-02 WRANGLER W/ ABS (w/ drum brake), RH	16530.56
1992-02 WRANGLER W/ ABS (w/ drum brake), LH	16530.57
1992-01 CHEROKEE W/ ABS (w/ drum brake), LH	16530.56
1992-01 CHEROKEE W/ ABS (w/ drum brake), RH	16530.57
1993-98 GRAND CHEROKEE W/ ABS (w/ brake drum), RH	16530.56
1993-98 GRAND CHEROKEE W/ ABS (w/ brake drum), LH	16530.57
1994-98 GRAND CHEROKEE W/ ABS (w/ rear disc brake), RH	16530.58
1994-98 GRAND CHEROKEE W/ ABS (w/ rear disc brake), LH	16530.59
1999-04 GRAND CHEROKEE, RH	16530.60
1999-04 GRAND CHEROKEE, LH	16530.61
1991-00 (C-clip)	16533.20
17 WHEEL STUD (w/ drum brakes)	16714.08
WHEEL STUD (w/ disc brakes)	16714.09
18 AXLE OIL SEAL, OUTER 1984-86 CHEROKEE	16534.10
AXLE OIL SEAL, OUTER 1987-89 WRANGLER	16534.10
AXLE OIL SEAL, OUTER 1990-00 ALL (each)	16534.11
18A RETAINER, 1984-89 WRANGLER	16536.20
RETAINER, 1984-89 CHEROKEE	16536.20
19 AXLE OIL SEAL, INNER, 1984-89 CHEROKEE	16535.10
AXLE OIL SEAL, INNER, 1987-89 WRANGLER	16535.10
20 WHEEL BEARING:	
1984-89 CHEROKEE, BEARING CUP &	
RETAINER (each side)	16536.21
1987-89 WRANGLER, BEARING CUP &	
RETAINER (each side)	16536.21
1990-06 ALL, BEARING (each side)	16536.22
21 BOLT RING GEAR (each)	16522.01
DIFF COVER BOLT, DANA-30, 35, 44, AMC-20	16522.02
22 1987-93 WRANGLER, YOKE (strap & bolt design)	16580.20
1996-97 WRANGLER, YOKE (strap & bolt design)	16580.20
1994-96 WRANGLER, YOKE (use w/ 3-5/8" U-joints)	16580.21
1997-06 WRANGLER, YOKE (use w/ 3-7/32" U-joints)	16580.22
1987-93 WRANGLER, U-BOLT DESIGN YOKE KIT	16580.23
1997-02 WRANGLER, U-BOLT DESIGN YOKE KIT	16580.23
1999-04 GRAND CHEROKEE, YOKE	16580.24
23 STRAP & BOLT KIT	16582.03
1991-04 DANA-35, CROSS SHAFT LOCKING BOLT	16507.33
24 DIFFERENTIAL COVER KIT STAINLESS STEEL	
W/ GASKET & HARDWARE	11118.05
24A HEAVY DUTY DIFFERENTIAL COVER, 3/8" THICK	
CAST STEEL, W/ HARDWARE (UPGRADE)	16595.35
25 DIFFERENTIAL COVER BOLT	16522.02
26 HEAVY DUTY DIFFERENTIAL SKID PLATE, 3/8" THICK	
CAST STEEL, W/ HARDWARE (UPGRADE)	16597.35