



**FITS 1941-47 MB & EARLY CJ-2A
(FULL FLOATING TYPE)**



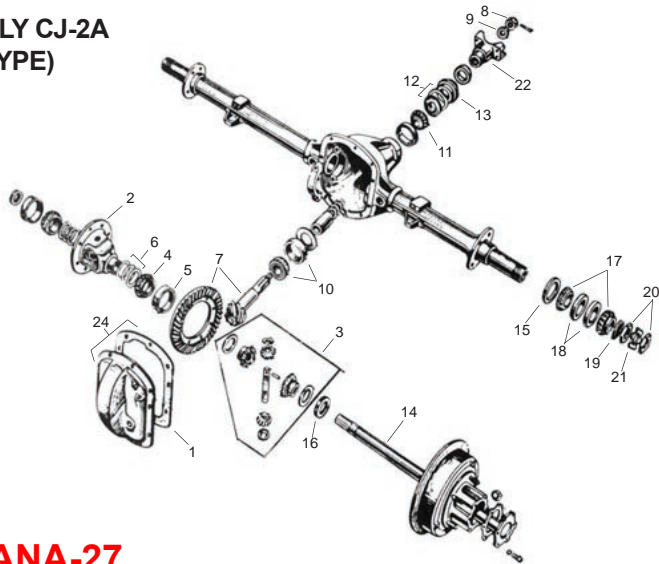
16507.01



16582.02



11118.02



REAR DANA-27

DESCRIPTION	Stock No.
1 GASKET, AXLE COVER	16502.01
2 CASE, STANDARD DIFFERENTIAL	16503.01
3 SPIDER GEAR KIT STANDARD DIFFERENTIAL	16507.01
4 BEARING, DIFFERENTIAL SIDE	16509.01
5 CUP, DIFFERENTIAL SIDE	16509.03
6 SHIM KIT DIFFERENTIAL SIDE BEARINGS	16511.01
7 RING & PINION 4.88 RATIO 39X8	16513.02
8 PINION NUT	16584.05
9 PINION WASHER	16584.02
10 INNER PINION BEARING & CUP KIT	16515.01
11 OUTER PINION BEARING & CUP KIT	16517.01
12 SHIM KIT PINION BEARING	16519.01
13 PINION OIL SEAL	16521.01

DESCRIPTION	Stock No.
14 AXLE SHAFT PASSENGER SIDE (short)	16530.02
AXLE SHAFT DRIVER SIDE (long)	16530.01
15 OIL SEAL, REAR OUTER WHEEL	16708.01
16 OIL SEAL, REAR INNER	16526.01
17 BEARING, AXLE SHAFT	16706.01
18 CUP, AXLE SHAFT	16707.01
19 LOCK WASHER, WHEEL BEARING	16710.02
20 NUT, WHEEL BEARING (each)	16710.03
21 LOCK WASHER, WHEEL BEARING NUT	16710.04
SPINDLE NUT & WASHER KIT (2 nuts & 2 washers)	16710.01
22 YOKE	16580.04
23 U-BOLT KIT PAIR FOR YOKE	16582.01
23 U-BOLT KIT PAIR FOR YOKE, SPICER BRAND	16582.02
24 DIFFERENTIAL COVER KIT STAINLESS STEEL, INCLUDES GASKET & HARDWARE	11118.02