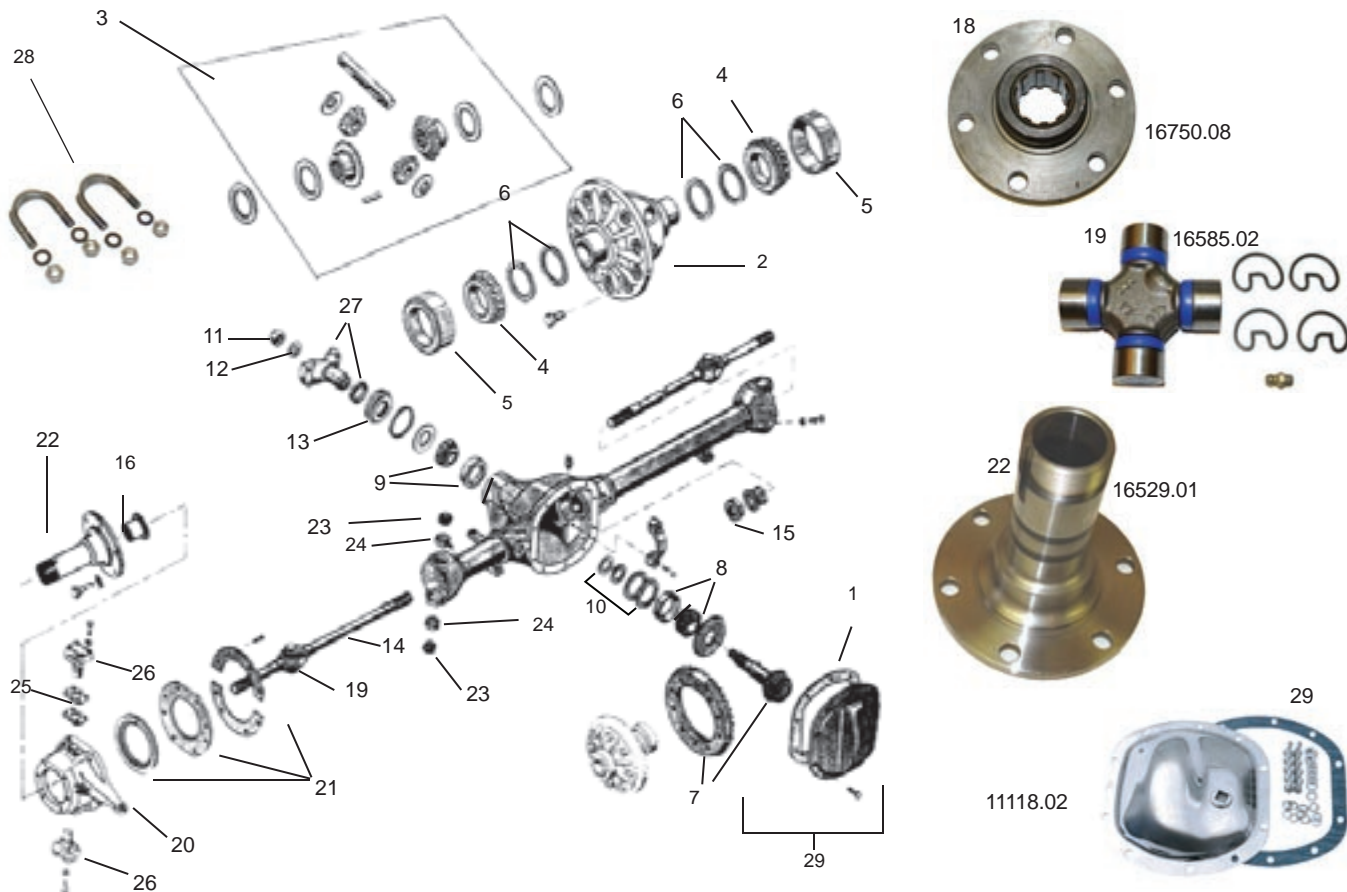


FRONT DANA MODEL 25 & 27

H29



1946-71 CJ FRONT DANA MODEL 25 & 27

DESCRIPTION	Stock No.
1 GASKET, FRONT AXLE COVER	16502.01
2 CASE, STANDARD DIFFERENTIAL: DANA-25	16503.01
DANA-27 3.31 TO 3.73 RATIO	16503.02
DANA-27 3.92 TO 5.38 RATIO	16503.03
3 SPIDER GEAR KIT STD. DIFFERENTIAL	16507.01
4 BEARING, DIFFERENTIAL SIDE, DANA -25 (2 needed)	16509.01
DANA-27 (2 needed)	16706.02
5 CUP, DIFFERENTIAL SIDE, DANA-25 (2 needed)	16509.03
DANA-27 (2 needed)	16509.04
6 SHIM KIT DIFFERENTIAL SIDE BEARINGS	16511.01
7 RING & PINION: DANA-25 4.27 RATIO, 47X11 TEETH	16513.01
DANA-25 4.88 RATIO, 39X8 TEETH (ltd. qty.)	16513.02
DANA-27 3.73 RATIO, 41X11 TEETH	16513.04
DANA-27 4.27 RATIO, 47X11 TEETH	16513.05 TBA
DANA-27 4.88 RATIO, 39X8 TEETH	16513.06
DANA-27 5.38 RATIO, 43X8 TEETH	16513.07
8 INNER PINION BEARING & CUP KIT: DANA-25	16515.01
DANA-27	16515.02
9 OUTER PINION BEARING & CUP KIT DANA-25 & DANA-27	16517.01
10 SHIM KIT PINION BEARING	16519.01
11 PINION NUT	16584.01
12 PINION WASHER	16584.02
13 PINION OIL SEAL	16521.01
PINION OIL SEAL, NATIONAL BRAND	16521.02

DESCRIPTION	Stock No.
14 FRONT AXLE SHAFT ASSEMBLY INNER & OUTER W/ U-JOINT: PASSENGER SIDE (short)	16523.02
DRIVER SIDE (long)	16523.01
15 OIL SEAL, INNER AXLE	16526.01
16 BUSHING, SPINDLE	16529.02
17 GASKET, AXLE SHAFT FLANGE DRIVE (not shown)	16727.02
18 FLANGE, AXLE SHAFT DRIVE, LEFT OR RIGHT (not shown)	16750.08
19 U-JOINT, FRONT AXLE, GREASABLE, LEFT OR RIGHT	16525.01
U-JOINT, FRONT AXLE, GREASABLE, LEFT OR RIGHT, SPICER	16525.02
U-JOINT, FRONT AXLE, NON-GREASABLE, LEFT OR RIGHT, SPICER	16525.03
20 KNUCKLE (late CJ2A,3A,3B,CJ5,CJ6) LEFT	18026.01
RIGHT	18026.02
21 STEERING KNUCKLE SEAL KIT (each side)	18026.03
22 SPINDLE	16529.01
23 BEARING, KING PIN (each)	18026.05
24 CUP, KING PIN (each)	18026.06
25 SHIM SET, KING PIN BEARING (each)	18026.07
26 CAP, KING PIN	18026.04
27 YOKE: DANA-25 (10 spline)	16580.04
DANA-27 (10 spline)	16580.01
28 U-BOLT PAIR KIT FOR U-BOLT STYLE YOKE U-BOLT PAIR KIT FOR U-BOLT STYLE YOKE-SPICER	16582.01
29 DIFFERENTIAL COVER KIT STAINLESS STEEL, INC. GASKET & HARDWARE	11118.02